

Turbomachinery & Process Solutions

<ARSB-O&G-005 | Rev. 4.1>

<Suppliers Requirements for Completeness process >

<08 Feb 2019>

Angelo Parente

TPS Florence Ops

Gianni Valdambri

TPS Logistic & Trasportation
CoE Manager

Document Revision Chart

The following chart lists the revisions made to this document tracked by version. Use this to describe the changes and additions each time this document is re-published. The description should include as many details of the changes as possible.

#.#	Section Modified and Revision Description	Date	Author
1.0	First issue	26 May 2014	Antonella Iannaccone
2.0	Upgrade procedure to explain the minimum requirements necessary to assure supply completeness	10 Feb 2014	Alessandra Dell'Aglio
3.0	New LISL Template and new flag for assembly drawing, overall update of terms and definitions	14 Dec 2016	Fabio Celli
4.0	(i) Shipping Configuration Modality introduction (ii) Logistic Net and Gros weight details introduction (iii) List of values for packing type	12 Apr 2018	Perugi Emanuele, De Laurentiis Mattia (i) Federico Stefania (ii) Nuti Massimiliano (iii)
4.1	LISL Template updated with new Shipping Configuration Labels (Box and Child Box) print functionality and quality check to avoid Child Box duplication.	08 Feb 2019	Fabio Celli, Mattia De Laurentiis, Emanuele Perugi
--	Document rebranded (BHGE > Baker Hughes); updated obsolete references (ARSB-O&G-001 > BH-SOU-001)	08/04/2020	Carolina Biondi

Table of Contents

1. GENERAL OVERVIEW.....	4
2. SCOPE.....	4
3. RESPONSABILITY.....	4
4. APPLICABLE DOCUMENTS.....	5
5. DEFINITIONS AND ACRONYMS.....	5
6. PROCESS DESCRIPTION.....	6

1. General Overview

The purpose of this document is to describe the management of Loose Items Shipping List (LISL), the correct creation of delivery note, the proper identification and labelling related to items/goods purchased by Baker Hughes Nuovo Pignone, in order to assure the supply completeness.

2. Scope

This document is incorporated by reference in the Baker Hughes Nuovo Pignone purchase order and it is fully applicable to suppliers of direct materials, used in Baker Hughes Nuovo Pignone to supply goods, when shipment of multiple items is combined in one line of purchase order.

It is Supplier's responsibility to implement all necessary actions in order to comply with the requirements set forth herein.

Baker Hughes Nuovo Pignone shall verify that suppliers implement the processes required herein during qualification or surveillance activities as specified in BH-SOU-001.

3. Responsibility

The Supplier is responsible to put in place at his plant the following processes:

- Define a robust traceability process with control step to verify traceability during the entire supply, issuing a dedicate procedure described in the paragraph 6.1
- Define a robust process in order to issue correctly an internal BOM with dedicated design review to assure the scope of supply issuing a dedicate procedure described in the paragraph 6.2.
- Define a robust process in order to issue a Shipping BOM and to check its correspondence with BOM issuing a dedicate procedure described in the paragraph 6.2.
- Define a robust completeness process to assure supply completeness during the entire supply and Hand Off, issuing a dedicate procedure described in the paragraph 6.8
- Define a robust process to correct manage the drop shipment material described in the paragraph 6.9

The Supplier is responsible to perform the following activities related to his contractual scope of work:

- Issue an assembly drawing described in the paragraph 6.3
- Issue LISL as described in the paragraph 6.4
 - filling in the LISL (loose items shipping list) and sending to the Supplier Fulfillment Manager (SFM) assigned to the Supplier

- Filling in the transport document or delivery note described in the paragraph 6.5.
- Identifying and labelling the material described in the paragraph 6.6

This is a controlled document in the Baker Hughes Quality Management System.

4. Applicable documents

The following documents are part of this document to the extent they are referenced herein:

4.1 International Standards

ISO 9001 Latest revision - Quality Management Systems Requirements

4.2 Baker Hughes Documents

BH-SOU-001 Supplier Quality Requirements

5. Definitions and Acronyms

BOM – *Bill of Material*. The list of all materials/equipment needed to comply with the contractual scope of supply. BOM is normally issued and managed by supplier.

CB – *Child Box*. Sub-group of items (hardware gaskets, shims, shim pack, etc.) required to assemble two MAIN COMPONENTS. CHILD BOX number and lines are identified in the Assembly drawing Bill of Material (BOM). Child Box pack type is in accordance to Supplier Standards.

Content List (for KIT management) – List with the description, the quantities and the item codes of each of the various materials that make up the KIT. Handwritten content lists are not permitted.

Content List (for Shipping Configuration): List of items referring to a specific Box or Child Box, in case of Shipping Configuration application

Delivered quantity – (Needed loose quantity + Spare Quantity – Assembled Quantity) – total quantity delivered to customer as loose items and indicated on assembly drawing and on LISL with a Mark

DWG – *Drawing*

EDM – Baker Hughes electronic archive

i-Supplier Portal – Baker Hughes communication portal with suppliers

KIT – A set of items or disassembled parts in a sealed box or crate provided as part of supply. The supplier seals small boxes or crates to guarantee that their content is complete and in perfect conditions. Maximum weight allowed 20kg and maximum volume allowed 1 m³

LISL – *Loose Items Shipping List* – list of the loose items shipped by the Supplier for each single PO line

MAIN COMPONENT: item preassembled or shipped as single LOOSE ITEM

Needed Quantity – quantity on assembly drawing, needed to assemble final product

NP – *Nuovo Pignone*

PO – *Purchase Order*

QRL – *Quality Requirement List*

SDR – *Supplier Deviation Request*

Shipping BOM is the BOM rearranged in shipping configuration. It is the list of all loose shipped items composing the final product with their sub-components mechanically assembled.

Shipping Configuration modality (or Shipping Configuration) – This approach is indicated in the technical specification issued by Baker Hughes-Nuovo Pignone and includes an improved version of the Assembly Drawings that indicates the materials division for the child Boxes logic, and an improved version of the LISL where the LISL section “SHIP. CONFIG:” is completely filled with Child Box vs. Loose and Boxes indication.

SITE ASSEMBLY DRAWING – An assembly drawing that identifies with a mark each loose item that compose final product and define how to be installed. Each mark indicated in the Assembly drawing will correspond to a mark specified in the Shipping BOM and in the LISL.

If Shipping Configuration applied, the site assembly drawing also defines the materials grouping (child boxes) to fill in the LISL.

SFM – *Supplier Fulfillment Manager*

Spare quantity – Quantity on assembly drawing spare (generally 15% of the needed quantity) Any other terms not defined herein shall have the meaning assigned to them in BH-SOU-001 Supplier Quality Requirement.

6. Process Description

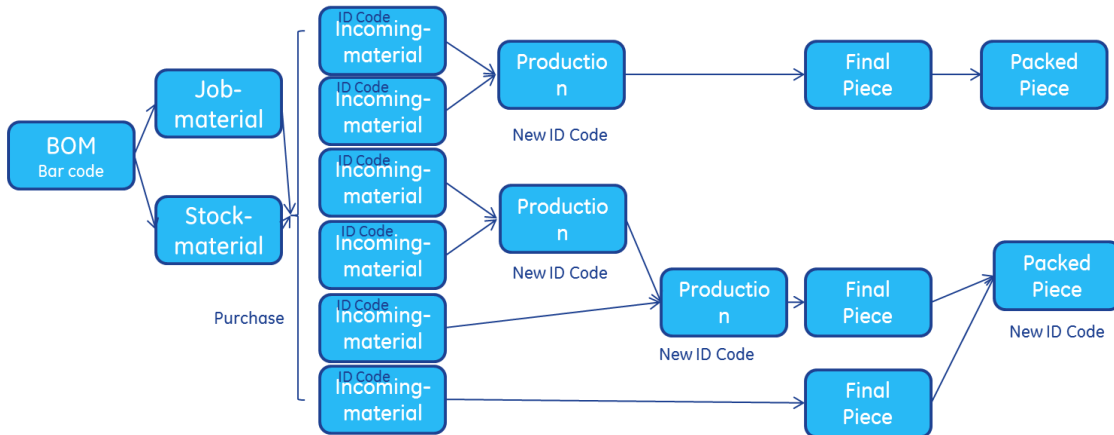
6.1. Identification/Traceability Process

The Supplier shall issue and maintain in its Quality Management System, a procedure dedicated to the full identification of material/equipment ordered by Baker Hughes during procurement, storage, production/transformation and preparation for shipment. The procedure as minimum will manage the following:

- Identification of single part of supply in design phase (for example material code defined in BOM)
- Identification of stock material for a particular job
- Identification of material withdraw from warehouse
- Identification of sub assembled/welded part during production
- Identification of final pieces and box for shipment (if some different materials are packed in a single box, supplier shall identify box)

- Identification of the Child Boxes versus Loose Pack Type (Only if Shipping Configuration applied)

The purpose of this procedure is to assure that correspondence between Shipping BOM and BOM is respected during production BAR CODE system is preferred



6.2. BOM and Shipping BOM issue and check

Supplier shall define and implement a process to design and release BOM and Shipping BOM as per the following minimum requirements.

Supplier shall verify and validate BOM and Shipping BOM during dedicated design reviews.

BOM shall:

- Include all raw material needed for the scope of supply (consumable could not be included)
- Be written in English as minimum; additional language allowed under the condition that the English version is the official one

Shipping BOM shall:

- represent supply as “to be shipped”
- List all shipped loose items identified with a mark (same mark specified in the assembly drawing and in the LISL).
- For each shipped loose item, it shall list all raw materials (no welding parts) and/or sub assembled pieces that compose it. Indeed, it is necessary to track the correlation between BOM and Shipping BOM. For each sub-assembled component, supplier will issue manufacturing/construction drawings with proper material list to have complete traceability and identification during production.

3D modelling is preferred to have a unique data source for BOM and Shipping BOM

6.3. Assembly Drawing

Supplier shall provide assembly drawing if required on Purchase Order and if it is scope of supply.

6.3.1.Assembly Drawing general description

The supplier shall issue an assembly drawing showing all the components, identified by marks, to be assembled in site. It includes also a material list detailing the loose shipped materials (each item is identified by a mark, same mark specified in the Shipping BOM and in the LISL). This drawing can be also part of general arrangement drawing or equivalent.

If Shipping Configuration is applied (It is required by Nuovo Pignone Technical Specification) the Site Assembly drawings will define also the entire Child Boxes list with all the proper assigned materials.

The supplier shall submit the assembly drawing for formal archive on Baker Hughes official document repository as requested on contractual requirements in terms of timing.

Supplier shall check and certify the correspondence between assembly drawing material list and shipping BOM (marks, part description, quantities in Shipping BOM and assembly drawing material list shall correspond), documenting the conformity of the process.

According to the condition of delivery on the procured Items, two typologies of assembly drawing shall be considered:

1. When a PO line is delivered as loose items to be assembled in site, a SITE ASSEMBLY DRAWING shall be issued. For each loose item a mark shall be identified, and it shall be defined how to install the component.

Site assembly drawing shall identify for each mark:

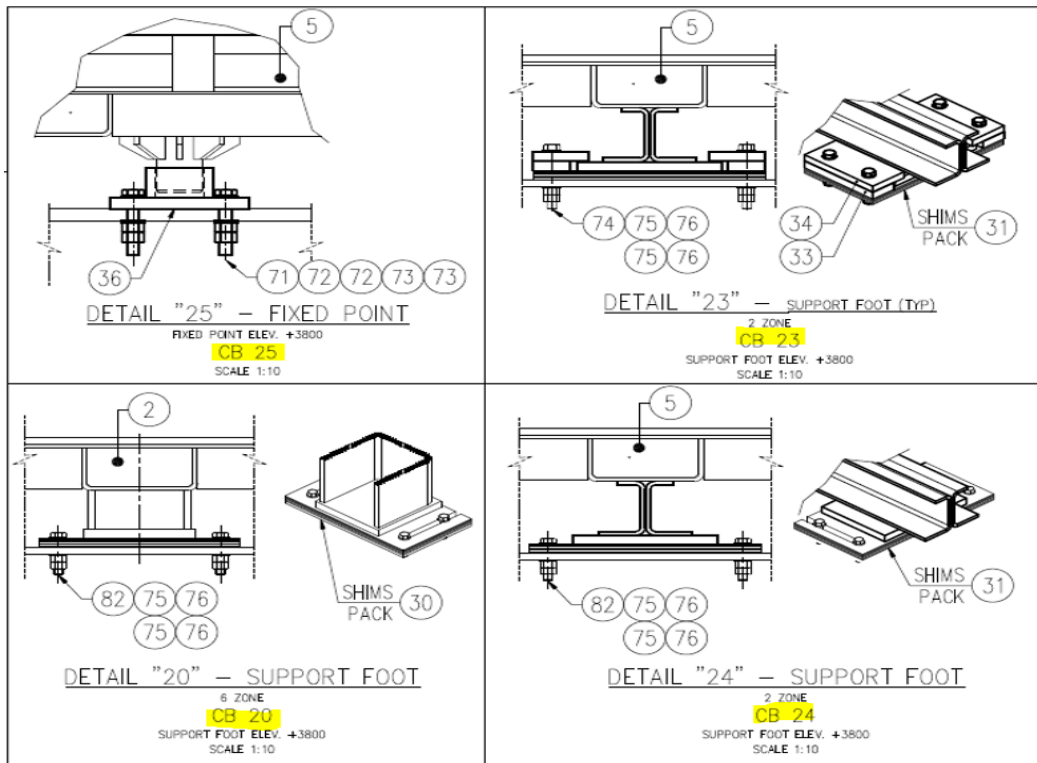
- Where it is installed
- How has to be installed
- How it is grouped with child box indication if shipping configuration applied.

A list of all marks shall be inserted into the assembly drawing and for each mark it is necessary to indicate:

- Mark ID
- Mark description
- Needed loose quantity (see 6.3.2 paragraph if shipping configuration is applied)
- Spare quantity (see 6.3.2 paragraph if shipping configuration is applied)
- Delivered loose quantity (see 6.3.2 paragraph if shipping configuration is applied)
- Child Box list with proper materials quantity assigned if shipping configuration is applied (see picture.1 here below).
- Site Assembly Drawings include Child Boxes numbering references in each assembly details, all Child Boxes material marks shall be visible in the proper assembly detail if shipping configuration is applied (see picture. 2 here below).

5					6				7				8					
20 707	CB-21 (SEE DETAL 717)	CB-22 (SEE DETAL 727)	CB-23 (SEE DETAL 737)	CB-24 (SEE DETAL 747)	CB-25 (SEE DETAL 757)	CB-26 (SEE DETAL 767)	CB-27 (SEE DETAL 77-V-V-1)	CB-27A (SEE DETAL 77-V-V-1)	CB-28 (SEE DETAL 787)	POS.	DESCRIPTION	CODE	MATERIAL	NEED QTY	SPARE QTY	TOT. QTY	UNIT WEIGHT	TOTAL WEIGHT
										2	TRANSITION DUCT	SM09928215_000_A_001-408	SEE DWG	1	-	1	7397.0	7397
										3	1st SILENCER DUCT	SM09928215_000_A_009-014	SEE DWG	1	-	1	5111.0	5111
										4	2nd SILENCER DUCT	SM09928215_000_A_015-020	SEE DWG	1	-	1	5111.0	5111
										5	1st 90° ELBOW	SM09928215_000_A_021-406	SEE DWG	1	-	1	5086.0	5086
										6	2nd 90° ELBOW	SM09928215_000_A_027-031	SEE DWG	1	-	1	4981.0	4981
										7	VERTICAL DUCT	SM09928215_000_A_032-035	SEE DWG	1	-	1	2477.0	2477
										9	TRANSITION DUCT	SM09928215_000_A_036-039	SEE DWG	1	-	1	2967	2967
										10	LOWER SECTION STACK	SM09928215_000_A_040-042	SEE DWG	1	-	1	9053.0	9053
										11	UPPER FINAL STACK	SM09928215_000_A_043-045	SEE DWG	1	-	1	5934.0	5934
										15	SILENCER PANEL	SM09928215_000_A_046	SEE DWG	5	-	5	1415.0	7075
										20	SUPPORT SADDLE	SM09928215_000_A_047	SEE DWG	4	-	4	182.0	728
										21	LATERAL GUIDE	SM09928215_000_A_047	SEE DWG	8	-	8	2.0	16
										22	GUIDE SADDLE	SM09928215_000_A_047	SEE DWG	4	-	4	84.0	336
										23	STUD PLATE FOR GUIDE SADDLE	SM09928215_000_A_047	SEE DWG	4	-	4	30.0	120
										30	SHIMS PACK TYPE 1	SM09928215_000_A_049	SEE DWG	6	-	6	27.0	162
8			2	2		2				31	SHIMS PACK TYPE 2	SM09928215_000_A_049	SEE DWG	14	-	14	27.0	378
										32	SHIMS PACK TYPE 3	SM09928215_000_A_049	SEE DWG	4	-	4	26.0	104
16			4			4				33	PLATE FOR SUPPORT FOOT	SM09928215_000_A_049	SEE DWG	24	-	24	4.6	110
16			4			4				34	PLATE FOR SUPPORT FOOT	SM09928215_000_A_049	SEE DWG	24	-	24	6.1	146
	2									35	PLATES FOR GUIDE POINT	SM09928215_000_A_049	SEE DWG	2	-	2	15.8	32
					1					36	FIXED POINT HOUSING	SM09928215_000_A_049	SEE DWG	1	-	1	31.8	32
							2			50	PROTECTOR SCREEN FOR ITEM 2	SM09928215_000_A_048	ASTM A240 TP-304L	2	-	2	37.1	74

picture. 1 Example of items table integrated with child box grouping



picture. 2 Example of items table integrated with child box grouping indications

In case of more than one site assembly drawing is needed for each PO line (i.e. mechanical and electrical assemblies, structures, etc..), the same requirement shall be applied for all assembly drawings.

In case of item delivered with components assembled but in a temporary position, a relocation drawing shall be issued (recalled in site assembly drawing). This document shall contain all the information necessary to complete the re-assembly operation. Components affected by relocation, shall not be included in Shipping BOM

Supplier shall check the site assembly drawing correspondence using “Annex B”.

For PO lines procured against build to print drawings, supplier shall use the Baker Hughes drawing and the final supply shall be delivered using the same number and ID of marks listed in Baker Hughes drawing.

Loose items such as electrical spare parts, mechanical tooling, software, etc. shall not be included in Site Assembly Drawing but shall be included in LISL as per 6.4.3. In these cases, supplier will write “NA” in the “drawing reference” column of the LISL.

6.3.2. Quantity definition for the Assembly Drawings if shipping configuration modality is applied

If Shipping Configuration is applied, supplier shall add the CBs (Child Boxes) list with all the proper materials quantity on the Assembly Drawing. The materials quantity in the Child Boxes table should be calculated as described here below:

- The **need** quantity for a mark is the actual (designed) quantity necessary for that mark.
- The **CB need** quantity is the mark actual portion (designed) for a single CB.
- The **CB total** quantity for a mark is given by the CB need added with 15% (or different % if contractually agreed) spare calculate on the CB need quantity.

Formula: $CB\ total = CB\ need + 15\% \text{ of } CB\ need$

- The **spare** quantity for a mark is given by the sum of all the **CB total** quantity less the **need** quantity.

Formula = $Total\ Spare = (Sum\ of\ CB\ total) - total\ need.$

- The CB contain only the **CB total** quantity for each mark.

Notes and exceptions:

- The minimum spare quantity for a mark in a CB is 1, if the spare percentage calculated on a CB need is less than 1, the quantity becomes 1.
- The spare quantity is always rounded for excess if not integer number: for example if the spare calculated quantity is 1,3 the quantity becomes 2.
- In few special cases some items could have a minimum quantity not separable (for example we could have a group of 5 bolts provided in a single not separable package), in these cases the supplier must refer to the assigned GE interface to find an agreement on spare parts management.
- Items provided as unique piece to be cut on site will be grouped in a dedicated CB.
Example: rolls of gaskets, a single roll could provide spare parts or main items sections

to multiple CB by cutting on site, it will be provided as unique piece stored in a dedicated CB. (see shipping configuration ITN)

CB1 (need + spare 15%)	CB2 (need + spare 15%)	CB3 (need + spare 15%)	MARK	NEED	SPARE QTY	TOT QTY
11 + (2) = 13	13 + (2) = 15	1 + (1) = 2	1	11+13+1 =25	(13+15+2)-(25)=5	(25+5) = 30

Quantity management example table

6.4.LISL

The Supplier shall provide the LISL in Excel format in case of:

- Material shipped in more than one piece (including accessories and /or spare parts)
- Material for the string test, even if one piece.
- Final package part of the scope of supply, even if one piece.

Supplier shall not provide LISL in case of Blanket Order – Purchase Order release (es. 4401xxxx-YYY where YYY is the release number)

The supplier shall issue LISL using same identification marks used in the shipping BOM and in the “material list” embedded in the assembly drawing.

No Shipping BOM/Assembly DWG Mark modification is allowed on LISL

All modification on Shipping BOM and Assembly DWG shall be updated in LISL to assure correct correspondence among documents. After each revision supplier needs to upgrade LISL revision number.

All PO lines that have the “destination code” (present in i-Supplier) equal to 324 are to be considered as materials needed for string test.

The Supplier shall download the LISL template from Supplier Center at the following link

<https://www.bhge.com/supplier-center>

The Supplier is authorized to ship the material only if Nuovo Pignone receives the LISL before goods dispatching

The LISL shall be:

- Filled in English
- Sent to the SFM assigned to the Supplier
- Unique for each line of the Purchase Order
- Included in the transport document or delivery note
- Placed on the material – (a copy of the LISL on each package)

The LISL has not to be filled in:

- When there is just one single assembled part/component not for string test and final package is not part of the scope of supply

- In the case of Purchase Order with release number – Blanket Order (e.g. PO 4398XXXXX release 1)

Below is an example of a LISL (Photo 1)

(Photo 1)

The Supplier shall fill in a preliminary LISL (marked as revision 0) before delivery.

In exceptional cases Nuovo Pignone allows the Supplier to ship incomplete materials (SDR to be approved), and the supplier shall:

- Send a LISL to the assigned SFM indicating all the materials sent + all materials still to be sent (when applicable).
- Send an official list to the assigned SFM indicating materials included in each partial shipment.

Refer to Purchase Order for further details.

6.4.1. How to correctly fill in a LISL

There are comments in the cells of the LISL Excel file – simply click in the cells for getting help (photo 2)

(Photo 2)

(“drawing reference” in the comment means the Nuovo Pignone drawing number)

All the details of your Purchase Order should be indicated in the first section below (Photo 3):

- NP Item Code (cell B5 in the Excel file, reported on the corresponding PO line)

- Item Description (cell D5, reported on the corresponding PO line)
- NP Supplier Code (cell D8, the Baker Hughes six-digit code reported on the Purchase Order header)
- Supplier Name (cell F8, reported on the Purchase Order header)
- Job No = (cell L5, project number reported on the corresponding PO line)
- Ship to = check the address with the SFM before filling in this cell

Qtà/Qty	UdM/ UoM	Descrizione/Description	Prezzo Unit
	1 EA	Codice / Material Code : SMO9969899 Descrizione / Description : FILTER HOUSE FOR MSS001 (RIGHT UNIT) A DIS:SMO9969899 Revisione Doc. Applic. / Revision Doc. Applic. : 0 Piano di collaudo / Test Plan : Not Needed Prescrizioni Particolari/Special Prescription : Necessita invio offerta per parti di ricambio vedi clausola 09N /Submission of spare parts offer is requested, according to clause 09N	

(Photo3)

The revision number of the initial version of the LISL must be "0"; this number shall be updated only if and every time the LISL is revised. The "final version" checkbox (see Photo 4) shall be selected only when Supplier is 100% sure that no more changes have to be made to the LISL, the LISL is ready to be sent and it can be processed by Baker Hughes.

(Photo4)

The final version shall be sent, at least, 7 calendar days before the contractual date (or different date agreed with SFM) or as requirement from ITN08010.23 is applicable.

This final version shall fully match with final list of packages which will be used for the shipment, in terms of content, number, type, weights and dimensions of each package will be dispatched.

Important note:

If final weights and dimensions can be defined only after goods packing, final revision of LISL form could be exceptionally further amended before the shipment, provided that the following conditions are satisfied:

- Final values for weights and dimensions do not exceed maximum values reported in the final revision.
- All other information in the LISL (lines, descriptions, quantities, drawing references and drawing marks) remain unchanged.

The central section of the LISL (Photo 5) provides information about materials sent by the Supplier.

The LISL can be filled in more quickly by copying the data of other documents and pasting them in the LISL. You can use the copy => paste commands but making sure you use the special paste command.

Copy => special paste => values

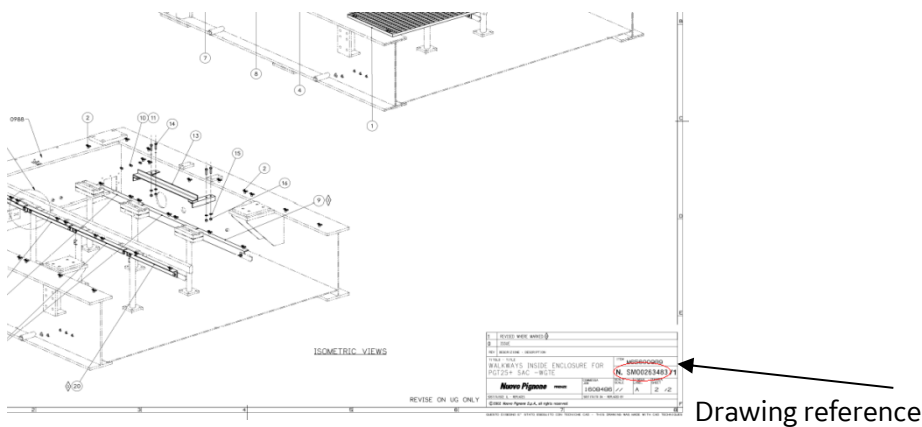
You are advised not to do:

- copy => paste
- cut => paste

COMPONENT DESCRIPTION	Q.TY	COMPONENT RECEIVING REFERENCE	ITEM				PACKAGE					
			LENGTH (Centimeter)	WIDTH (Centimeter)	HEIGHT (Centimeter)	WEIGHT (KG)	PACK TYPE	LENGTH (Centimeter)	WIDTH (Centimeter)	HEIGHT (Centimeter)	GROSS WEIGHT (KG)	NET WEIGHT (KG)
STACK BASE THK.10	1.00	SMO8750617_SOM66545 01_4				22830.00	THERMOSHINK	951.00	435.00	425.00	22830.00	22830.00
PROTECTION NET THK.3	2.00	SMO8750617_SOM66545 01_4A1				255.00	PALLET	200.00	150.00	40.00	255.00	270.00
PROTECTION NET THK.3	1.00	SMO8750617_SOM66545 01_4A2										
PROTECTION NET THK.3	4.00	SMO8750617_SOM66545 01_4A3										
PROTECTION NET THK.3	2.00	SMO8750617_SOM66545 01_4A3										

(Photo 5)

Enter the Nuovo Pignone assembly drawing number referred to material manufacturing purposes in the Drawing Reference cell (Photo 6).



(Photo 6)

If the supplier does not have the Nuovo Pignone reference drawings number (e.g. the ones for the filter elements), the "No Assembly Drawing" checkbox (see Photo 7) shall be selected and the Drawing reference field is automatically filled in with PO and Line numbers

BHGE

Revision number Final version
 No Assembly Drawing
 Shipping Configuration Applied

LOOSE ITEM SHIPPING LI

NP ITEM CODE: ITEM DESCRIPTION: ORDER NO: LINE NO: SHIP NUM:

NP SUPPLIER CODE: SUPPLIER NAME:

LISL Name:

ID	DRAWING REFERENCE	DWG. MARK	COMPONENT DESCRIPTION	Q.TY	COMPONENT RECEIVING REFERENCE	ITEM			WEIGHT (KG)
						LENGTH (Centimeter)	WIDTH (Centimeter)	HEIGHT (Centimeter)	
1	440175603-23-1	4	STACK BASE THK.10	1.00	SMO8750617_440175603-23-1_4				22830.00
2	440175603-23-1	4A1	PROTECTION NET THK.3	2.00	SMO8750617_440175603-23-1_4A1				255.00
3	440175603-23-1	4A2	PROTECTION NET THK.3	1.00	SMO8750617_440175603-23-1_4A2				

(Photo 7)

Lastly, in case of scope of supply with both above cases applicable (item with and without drawing reference) fill in the LISL with the assembly drawing number and related drawing mark where exists and the NP item code with "NAYPXX" (where Y is the sequential drawing mark number and XX are the last two digit of the project) this is as mark where don't exist. (Photo 8) Do not forget that the mark must be different for each drawing reference: identical marks are not permitted.

Revision number Final version
 No Assembly Drawing
 Shipping Configuration Applied

LOOSE ITEM SHIPPING

NP ITEM CODE: ITEM DESCRIPTION: ORDER NO: LINE NO:

NP SUPPLIER CODE: SUPPLIER NAME:

LISL Name:

ID	DRAWING REFERENCE	DWG. MARK	COMPONENT DESCRIPTION	Q.TY	COMPONENT RECEIVING REFERENCE	ITEM		
						LENGTH (Centimeter)	WIDTH (Centimeter)	HEIGHT (Centimeter)
1	SOM6608374	13	Support L profile	1.00	SMO0263483_SOM6608374_13			
2	SOM0263483	NA1	Grating clips	10.00	SMO0263483_SOM0263483_NA1			

(Photo 8)

If the drawing mark is the same for two or more lines (with identical drawing reference), add an alphabetical character: 40, 40A, 40B (Photo 9); and if no drawing mark is available, add a numerical character, as shown in Photo 10

ID	DRAWING REFERENCE	DWG. MARK	COMPONENT DESCRIPTION	Q.TY	COMPONENT RECEIVING REFERENCE
1	SOM6659407	40	BEAM HEB 260	1	SOM6659407_SOM6659407_40
2	SOM6659407	40A	BEAM HEB 260	1	SOM6659407_SOM6659407_40A
3	SOM6659407	40B	BEAM HEB 260	1	SOM6659407_SOM6659407_40B

(Photo 9)

ID	DRAWING REFERENCE	DWG. MARK	COMPONENT DESCRIPTION	Q.TY	COMPONENT RECEIVING REFERENCE
1	VTR02255	NA1	CYLINDRICAL CARTRIDGE	72	SMO9969913_VTR02255_NA1
2	VTR02256	NA2	CONICAL CARTRIDGE	72	SMO9969913_VTR02256_NA2
3	VTR02256	NA3	CONICAL CARTRIDGE	72	SMO9969913_VTR02256_NA3

(Photo 10)

The LISL has two sections for the weight data and dimensions of the materials (Photo 11):

- The "Package" section shall always be filled in for any packaged or "loose" materials; "PACK TYPE" section shall be filled in using values present in the drop-down menu.
- The "ITEM", ... , "WEIGHT" section shall always be filled in for any packaged or "loose" materials
- The "ITEM" section shall be filled in only for "loose" materials.

ITEM				PACKAGE					
LENGTH <small>(Centimeter)</small>	WIDTH <small>(Centimeter)</small>	HEIGHT <small>(Centimeter)</small>	WEIGHT (KG)	PACK TYPE	LENGTH <small>(Centimeter)</small>	WIDTH <small>(Centimeter)</small>	HEIGHT <small>(Centimeter)</small>	GROSS WEIGHT (KG)	NET WEIGHT (KG)

Materials **without** packaging
Packaged/**loose** materials

(Photo 11)

In the case of unpackaged and loose material, supplier shall specify:

- The weight data and dimensions of single items (compile the ITEM and PACKAGE sections)
- "UNPACKED" as the "TYPE" in the "PACKAGE" section
- In the case of loose items shipped in separate packs, the quantity should always be = "1" and, in the case of two or more identical items, list each one on a separate line (Photo 12)
- Weight data and dimensions only in whole numbers (where the units of measurement are kg and cm, see Photo 13)

DWG MARK	COMPONENT DESCRIPTION	Q.TY	COMPONENT RECEIVING REFERENCE	ITEM				PACKAGE				
				LENGTH (Centimeter)	WIDTH (Centimeter)	HEIGHT (Centimeter)	WEIGHT (KG)	TYPE	LENGTH (Centimeter)	WIDTH (Centimeter)	HEIGHT (Centimeter)	WEIGHT (KG)
40	BEAM HEA 260	1	SOM6650407_SOM6650407_40	552.00	100.00	26.00	270.00	LOOSE	552.00	100.00	26.00	270.00
40A	BEAM HEA 260	1	SOM6650407_SOM6650407_40A	552.00	100.00	26.00	270.00	LOOSE	552.00	100.00	26.00	270.00
40B	BEAM HEA 260	1	SOM6650407_SOM6650407_40B	552.00	100.00	26.00	270.00	LOOSE	552.00	100.00	26.00	270.00

(Photo 12)

PACKAGE				
TYPE	LENGTH (Centimeter)	WIDTH (Centimeter)	HEIGHT (Centimeter)	WEIGHT (KG)
CRATE	965.00	252.00	259.00	6535.00
LOOSE	552.00	100.00	26.00	270.00
LOOSE	552.00	100.00	26.00	270.00
LOOSE	552.00	100.00	26.00	270.00

YES

PACKAGE				
TYPE	LENGTH (Centimeter)	WIDTH (Centimeter)	HEIGHT (Centimeter)	WEIGHT (KG)
CRATE	964.80	252.00	258.50	6535.00
LOOSE	552.00	100.30	26.00	270.00
LOOSE	552.00	100.00	26.00	270.00
LOOSE	552.00	100.00	26.00	270.20

NO

(Photo 13)

In the case of packaged material, specify the net and gross weight data and the dimensions of the packages.

Note the difference between columns J and P. You need to specify the net weight of the item in column J and the net weight of the package (all items into the package) in column P. In this case, too, do not use decimal points, and note the units of measurement (kg and cm) (Photo 14).

										J	K	L	M	N	O	P
ITEM				PACKAGE												
LENGTH (Centimeter)	WIDTH (Centimeter)	HEIGHT (Centimeter)	WEIGHT (KG)	PACK TYPE	LENGTH (Centimeter)	WIDTH (Centimeter)	HEIGHT (Centimeter)	GROSS WEIGHT (KG)	NET WEIGHT (KG)							
			22830.00	THERMOSHR INK	951.00	435.00	425.00	23185.00	23185.00							
			255.00													
			100.00													
			40.00	PALLET	120.00	80.00	80.00	88.00	80.00							
			20.00													
			20.00													

Net weight

Gross Package Weight

Net Package Weight

(Photo 14)

Supplier shall ensure to specify the content of the packages correctly. A few examples are given below.

In the example in Photo 15, there are three pallets with #72 filter elements in each package.

ID	DRAWING REFERENCE	DWG. MARK	COMPONENT DESCRIPTION	Q.TY	COMPONENT RECEIVING REFERENCE	ITEM			
						LENGTH (Centimeter)	WIDTH (Centimeter)	HEIGHT (Centimeter)	WEIGHT (KG)
1	SOM996999	NA1	FILTER ELEMENT	72.00	SOM996999_SOM996999_NA_1	120.00	120.00	207.00	124.00
2	SOM996999	NA2	FILTER ELEMENT	72.00	SOM996999_SOM996999_NA_2	120.00	120.00	207.00	124.00
3	SOM996999	NA3	FILTER ELEMENT	72.00	SOM996999_SOM996999_NA_3	120.00	120.00	207.00	124.00

(Photo 15)

In the example in Photo 16, there is 1 wooden crate containing #1 Acoustic Inlet Hood and 1 pallet with #10 cylindrical filter elements, #10 conical filter elements, #1 diaphragm valve repair kit and #5 photohelic fuses.

ID	DRAWING REFERENCE	DWG. MARK	COMPONENT DESCRIPTION	Q.TY	COMPONENT RECEIVING REFERENCE	ITEM				PACK TYPE	PACKAGE				
						LENGTH (Centimeter)	WIDTH (Centimeter)	HEIGHT (Centimeter)	WEIGHT (KG)		LENGTH (Centimeter)	WIDTH (Centimeter)	HEIGHT (Centimeter)	GROSS WEIGHT (KG)	NET WEIGHT (KG)
1	SOM996999	8	CYLINDRICAL FILTER ELEMENT	10.00	SOM996999_SOM996999_8				100.00	PALLET	116.00	116.00	167.00	168.00	148.00
2	SOM996999	9	CONICAL FILTER ELEMENT	10.00	SOM996999_SOM996999_9										
3	SOM996999	10	DIAPHRAGM VALVE REPAIR KIT	1.00	SOM996999_SOM996999_10										
4	SOM996999	11	FUSE PHOTOHELIC	5.00	SOM996999_SOM996999_11										
5	SOM996999	12	ACOUSTIC INLET HOOD	1.00	SOM996999_SOM996999_12				4500.00	WOODEN_CRATE	965.00	252.00	259.00	6535.00	6235.00

(Photo 16)

In the "Delivery" column of the LISL, enter the date when the material is ready to be collected by a courier, as indicated on the INCOTERM purchase order (Photo 17). If the weight data and dimensions of subsequent shipments are not yet known, enter "Unpacked" under "Type" in the Package section and put "0" in the weight data and dimensions cells.

In the "Notes & Remarks" column of the LISL, enter the exact address of the place where all the packages are to be collected, and any other useful information (Photo 17).

In the case of Box & Pack by Supplier, enter the additional details of the package in the "Notes & Remarks" column: storage code, barrier bag (Yes/No), preservation expiration dates.

ITEM				PACK TYPE	PACKAGE					CO	DELIVERY DATE (DD/MM/YYYY)	NOTES AND REMARKS
LENGTH (Centimeter)	WIDTH (Centimeter)	HEIGHT (Centimeter)	WEIGHT (KG)		LENGTH (Centimeter)	WIDTH (Centimeter)	HEIGHT (Centimeter)	GROSS WEIGHT (KG)	NET WEIGHT (KG)			
				THERMOSHRINK	951.00	435.00	425.00	23185.00	23185.00		1/31/2018	SUPPLIER X; Via rossi 42
552.00	100.00	26.00	270.00	UNPACKED	552.00	100.00	26.00	270.00	270.00		1/31/2018	SUPPLIER X; Via rossi 42
552.00	100.00	26.00	270.00	UNPACKED	552.00	100.00	26.00	270.00	270.00		1/31/2018	SUPPLIER X; Via rossi 42
552.00	100.00	26.00	270.00	UNPACKED	120.00	80.00	80.00	88.00	80.00		1/31/2018	SUPPLIER X; Via rossi 42
			20.00	CRATE	965.00	252.00	259.00	6535.00	4500.00		1/31/2018	SUPPLIER X; Via rossi 42
			0.00	UNPACKED	0.00	0.00	0.00	0.00	0.00		2/28/2018	
			0.00	UNPACKED	0.00	0.00	0.00	0.00	0.00		2/28/2018	
			0.00	UNPACKED	0.00	0.00	0.00	0.00	0.00		2/28/2018	

(Photo 17)

Note the color of the cells when filling in the Excel file: red indicates mandatory data while yellow indicates the use of invalid characters (Photo 18).

Remember also to put INCH instead of " ; GRAD instead of °; DIAM instead of Ø; and (space) instead of _.

"Incomplete mandatory field"

NP ITEM CODE: SMO9969874 ITEM DESCRIPTION: SELF CLEANING FILTER HOUSE ORDER NO: [Red box]

NP SUPPLIER CODE: 901973 SUPPLIER NAME: [Red box]

Ready-to-send file needs to be saved under the following name: _1_1.xls

D	DRAWING REFERENCE	DWG. MARK	COMPONENT DESCRIPTION	Q.TY	COMPONENT RECEIVING REFERENCE	LENGTH (Centimeter)
1	SOM6660422001	5111-11	Outlet Transition AT1	1	SMO9969874_SOM6660422001_5111-11	
2	SOM6660422001	5111-12	Outlet Transition BT2	1	SMO9969874_SOM6660422001_5111-12	
3	SOM6660422001	5111-13	Outlet Transition CT3	1	SMO9969874_SOM6660422001_5111-13	
4	SOM6660422001	5111-14	Nut 5/8" 11 UNC	50	SMO9969874_SOM6660422001_5111-14	
5	SOM6660422001	5111-15	Module A	1	SMO9969874_SOM6660422001_5111-15	
6						

"Invalid characters"

(Photo 18)

Below are a few of the errors to be avoided:

- Photo 19 = only numerical characters are permitted in the "Quantity" field. You cannot, for example, put "10 m" or "1 kg". You should instead put the unit of measurement in the "Component Description" field.

<u>COMPONENT DESCRIPTION</u>	<u>Q.TY</u>
INOX WIRE-ROPE Ø 1 MM	KG 2

<u>COMPONENT DESCRIPTION</u>	<u>Q.TY</u>
INOX WIRE-ROPE DIAM 1 MM; KG 2	1

(Photo 19)

- Photo 20 = enter the description of the component in the "Component Description" field. You can enter an ID code in this field, providing you also give a description (in fact the code can be useful for the purposes of identification). Enter a mark or "NA" in the "drawing mark" field

ID	DRAWING REFERENCE	DWG MARK	COMPONENT DESCRIPTION	Q.TY	COMPONENT RECEIVING REFERENCE
1	I/84130	completo	TLJE-6700-F800-i003	1	RG038593_I/84130_COMPLETO
2	I/84130	2	*B1135-I034-I0051 stripped bolt	42	RG038593_I/84130_2
3	I/84130	3	*B1829-0137-0051 locknut	42	RG038593_I/84130_3

(Photo 20)

ID	DRAWING REFERENCE	DWG MARK	COMPONENT DESCRIPTION	Q.TY	COMPONENT RECEIVING REFERENCE
1	I/84130	NA	LOAD COUPLING SUPPLY SPECIFICATION	1	RG038593_I/84130_COMPLETO
2	I/84130	2	stripped bolt	42	RG038593_I/84130_2
3	I/84130	3	locknut	42	RG038593_I/84130_3

(correct LISL in relation to photo 20)

- Photo 21 = the quantity must not be given in the component description field, and all the mandatory fields must be completed.

BHGE

Revision number Final version
 No Assembly Drawing
 Shipping Configuration Applied

LOOSE ITEM S

NP ITEM CODE:

ITEM DESCRIPTION: **ORDER NO.:** **LINE NO.:**

NP SUPPLIER CODE: **SUPPLIER NAME:**

LISL Name:

ID	DRAWING REFERENCE	DWG. MARK	COMPONENT DESCRIPTION	QTY	COMPONENT RECEIVING REFERENCE	LENGTH (Centimeter)	WIDTH (Centimeter)
1	SO9957516	NA1	BUS DUCT TRUNK - T1	1.00	Missing mandarory data		
2	SO9957516	NA2	BUS DUCT TRUNK - T2	1.00	Missing mandarory data		
3	SO9957516	NA3	BUS DUCT TRUNK - T2	1.00	Missing mandarory data		
4	SO9957516	NA4	BUS DUCT TRUNK - T3	1.00	Missing mandarory data		
5	SO9957516	NA9	BUS DUCT TRUNK - T5	1.00	Missing mandarory data		
6	SO9957516	NA10	BUS DUCT TRUNK - T8	1.00	Missing mandarory data		
7	SO9957516	NA11	SHEET FOR WALL PASS	1.00	Missing mandarory data		
8	SO9957516	NA12	SHEET FOR WALL PASS	1.00	Missing mandarory data		
9	SO9957516	NA13	KIT MATERIALS FOR ERECTION BUS	1.00	Missing mandarory data		
10	SO9957516	NA14	MT.16 NEOPRENE SPONGE RUBBER GAS	1.00	Missing mandarory data		
11	SO9957516	NA15	N.12 COPPER FLEXIBLE PLA	1.00	Missing mandarory data		
12	SO9957516	NA16	N.72 STAINLESS STEEL BOLT	1.00	Missing mandarory data		
13							

(Photo 21)

Below LISL is the correct one in relation to Photo 21

BHGE

Revision number Final version
 No Assembly Drawing
 Shipping Configuration Applied

LOOSE ITEM S

NP ITEM CODE: **ITEM DESCRIPTION:** **ORDER NO.:** **LINE NO.:**

NP SUPPLIER CODE: **SUPPLIER NAME:**

LISL Name:

ID	DRAWING REFERENCE	DWG. MARK	COMPONENT DESCRIPTION	QTY	COMPONENT RECEIVING REFERENCE	LENGTH (Centimeter)	WIDTH (Centimeter)
1	SO9957516	NA1	BUS DUCT TRUNK - T1	1.00	RCO06066_SO9957516_NA1		
2	SO9957516	NA2	BUS DUCT TRUNK - T2	1.00	RCO06066_SO9957516_NA2		
3	SO9957516	NA3	BUS DUCT TRUNK - T2	1.00	RCO06066_SO9957516_NA3		
4	SO9957516	NA4	BUS DUCT TRUNK - T3	1.00	RCO06066_SO9957516_NA4		
5	SO9957516	NA9	BUS DUCT TRUNK - T5	1.00	RCO06066_SO9957516_NA9		
6	SO9957516	NA10	BUS DUCT TRUNK - T8	1.00	RCO06066_SO9957516_NA10		
7	SO9957516	NA11	SHEET FOR WALL PASS	1.00	RCO06066_SO9957516_NA11		
8	SO9957516	NA12	SHEET FOR WALL PASS	1.00	RCO06066_SO9957516_NA12		
9	SO9957516	NA13	KIT MATERIALS FOR ERECTION BUS	1.00	RCO06066_SO9957516_NA13		
10	SO9957516	NA14	MT.16 NEOPRENE SPONGE RUBBER	1.00	RCO06066_SO9957516_NA14		
11	SO9957516	NA15	COPPER FLEXIBLE PLA	12.00	RCO06066_SO9957516_NA15		
12	SO9957516	NA16	STAINLESS STEEL BOLT	72.00	RCO06066_SO9957516_NA16		
13							

Please note that the supplier is responsible for the exact quantity of each item in the LISL and for manually or automatically counting small parts (screws, nuts, bolts, washers, etc.).

Before submitting LISL (or LISL revisions) to Baker Hughes organization, supplier shall check and certify:

- Correspondence between LISL and site assembly drawing in terms of marks, components description, quantities, and Shipping Configuration arrangement as better explained in next sections
- Correspondence between LISL and shipping BOM in terms of marks, component description, quantities, assembly drawing reference
- All site assembly drawings are recalled in LISL and all loose items are included

This verification/design review shall be performed by supplier using check list ANNEX C.

Baker Hughes reserves the right to attend to this check when included in QRL requirements.

6.4.2. How to correctly fill in a LISL if Shipping Configuration is required

The rules outlined below only concern Purchased Orders Lines that are part of the Shipping Configuration project.

SHIPPING CONFIGURATION FLAG:

When the Shipping Configuration project is applied, you must mark the "Shipping Configuration Applied" flag.

The screenshot shows a yellow form header with the BHGE logo. It includes a 'Revision number' field with the value '1'. To the right are three checkboxes: 'Final version' (checked), 'No Assembly Drawing' (unchecked), and 'Shipping Configuration Applied' (checked). Below these are three input fields: 'NP ITEM CODE' with 'SMO8750617', 'ITEM DESCRIPTION' with 'EXHAUST STACK', and 'ORDER NO.' with '440175603'.

Shipping Configuration Applied Flag

SHIPPING CONFIGURATION SECTION:

The section SHIP. CONFIG. of the LISL consist of three fields, BOX, CHILD BOX, and LOOSE:

SHIP. CONFIG.		
BOX	CHILD BOX	LOOSE
1	N/A	1
2	N/A	2

The main rules to fill in SHIP. CONFIG. section are the following:

- I. BOX: it represents the Outermost Box numbering for shipping with final Box and Packing. The numbering shall be numeric and progressive, and it shall be filled in for all the LISL item lines, no blank fields admitted.
- II. CHILD BOX: it represents the assembly materials grouping numbering as per Assembly Drawing. The numbering shall be numeric and progressive and it shall be filled only for assembly parts, not for Loose items. It is alternative to the LOOSE field. If Child Box field is filled in, Loose field shall be left blank. The common configuration derived by

shipping ITN requires all CHILD BOXES inside a single BOX (All CB numbers belong to a unique BOX number).

- III. LOOSE: it represents the main component numbering as per Assembly Drawing. The numbering shall be numeric and progressive, and it shall be filled only for Loose parts, not for Assembly Items. It is alternative to the CHILD BOX field. In this case CHILD BOX value shall be N/A.
- IV. It is not allowed to duplicate LOOSE items number.
- V. It is not allowed to have the same CHILD BOX number in two different Boxes, i.e. the numbering progression is unique within the LISL regardless of Boxes

Examples:

Case 1:

PACK TYPE = THERMOSHRINK:

BOX = 1 (because it will be the first outer box)

CHILD BOX = N/A (because it's not an assembly part)

LOOSE = 1 (because it will be the first main item)

Case 2:

After the first duct section (case 1) you may need to put some other loose ducts section together on the same outermost box (pallet + plastics), in which case you will write:

PACK TYPE = PALLET (for all lines)

BOX = 2 (for all lines, because the pallet will be the second outermost box)

CHILD BOX = N/A (because they are not grouped in a smaller box to put in box 2)

LOOSE = 2 (first line), 3 (second line), etc... (because they will be the next main components after the case 1)

Case 3:

You need to pack three parts in a cartoon box that will be put in the same outermost box of the Case 2 (pallet + plastics), in which case you will write:

PACK TYPE = PALLET (for all the lines)

BOX = 2 (for all the three lines, because it is the same of Case 2)

CHILD BOX = 1 (for all the three lines, because it will be the first child box)

LOOSE = BLANK (for all the three lines, because they are not main components)

Revision number Final version
 No Assembly Drawing
 Shipping Configuration Applied

LOOSE ITEM SHIPPING LIST (Ex COA12)

ITEM DESCRIPTION: EXHAUST STACK ORDER NO.: 440175603 LINE NO.: 23 SHIP NUM.: 1 JOB NO.: 1800297 SHIP TO:

MP SUPPLIER CODE: 101465 SUPPLIER NAME: TALLARINI SRL

I. Name: 440175603_23_1_REVO_FINAL.xls

DWG MARK	COMPONENT DESCRIPTION	QTY	COMPONENT RECEIVING REFERENCE	ITEM				PACKAGE					SHIP. CONFIG.			
				LENGTH (Centimeter)	WIDTH (Centimeter)	HEIGHT (Centimeter)	WEIGHT (KG)	PACK TYPE	LENGTH (Centimeter)	WIDTH (Centimeter)	HEIGHT (Centimeter)	NET WEIGHT (KG)	GROSS WEIGHT (KG)	BOX	CHILD BOX	LOOSE
4	STACK BASE THK.10	100	SMO8750617_SOM6654501_4				22830.00	THERMOSHPRNK	951.00	435.00	425.00	22830.00	22830.00	1	N/A	1
4A1	PROTECTION NET THK.3	2.00	SMO8750617_SOM6654501_4 A1				255.00	PALLET	200.00	150.00	40.00	255.00	270.00	2	N/A	2
4A2	PROTECTION NET THK.3	100	SMO8750617_SOM6654501_4 A2					PALLET						2	N/A	3
4A3	PROTECTION NET THK.3	4.00	SMO8750617_SOM6654501_4 A3					PALLET						2	N/A	4
4A4	PROTECTION NET THK.3	2.00	SMO8750617_SOM6654501_4 A4					PALLET						2	N/A	5
4A5	PROTECTION NET THK.3	100	SMO8750617_SOM6654501_4 A5					PALLET						2	N/A	6
4A6	PROTECTION NET THK.3	100	SMO8750617_SOM6654501_4 A6					PALLET						2	N/A	7
4A15	SCREW M 16 X 50	50.00	SMO8750617_SOM6654501_4 A15					PALLET						3	1	
4A16	WASHER D. 17	100.00	SMO8750617_SOM6654501_4 A16					PALLET						3	1	
4A17	NUT M 16	100.00	SMO8750617_SOM6654501_4 A17					PALLET						3	1	
5	1st STACK THK.8	100	SMO8750617_SOM6654501_5				9256.00	THERMOSHPRNK	650.00	425.00	420.00	9256.00	9256.00	4	N/A	8
6	FINAL STACK THK.6	100	SMO8750617_SOM6654501_6				8742.00	THERMOSHPRNK	690.00	420.00	420.00	8742.00	8742.00	5	N/A	9

Shipping Configuration Example picture

It is important to remember that for the CBs the progressive numbering is not random but shall be the same assigned in the Assembly Drawing.

Final version
 No Assembly Drawing
 Shipping Configuration Applied

LOOSE ITEM SHIPPING LIST (Ex COA12)

ORDER NO.: 440175603 LINE NO.: 23 SHIP NUM.: 1 JOB NO.: SHIP TO:

SUPPLIER NAME:

COMPONENT RECEIVING REFERENCE	ITEM				PACKAGE					SHIP. CONFIG.			
	LENGTH (Centimeter)	WIDTH (Centimeter)	HEIGHT (Centimeter)	WEIGHT (KG)	PACK TYPE	LENGTH (Centimeter)	WIDTH (Centimeter)	HEIGHT (Centimeter)	NET WEIGHT (KG)	GROSS WEIGHT (KG)	BOX	CHILD BOX	LOOSE
SMO8750617_SOM6654501_61											3	N/A	34
SMO8750617_SOM6654501_61				52.00	PALLET	120.00	80.00	150.00	52.00	70.00	8	3	
SMO8750617_SOM6654501_66											8	3	
SMO8750617_SOM6654501_101											8	3	
SMO8750617_SOM6654501_102				52.00	PALLET	120.00	80.00	150.00	52.00	70.00	9	N/A	35
SMO8750617_SOM6654501_103				32.00	PALLET	120.00	80.00	140.00	32.00	40.00	10	N/A	36
SMO8750617_SOM6654501_105				200.00	PALLET	120.00	80.00	80.00	200.00	220.00	11	4	
SMO8750617_SOM6654501_106											11	4	
SMO8750617_SOM6654501_115											11	4	
SMO8750617_SOM6654501_116											11	4	

CB numbering

CHILD BOX ITEMS MARKING IN LISL:

If an item represented in a single line in the Assembly Drawing is assigned to different Child Boxes, the DWG MARKS in the LISL will be different from the one reported in the Assembly Drawing (according to the rules already provided in the current ARSB). Given that the Child

Boxes represent a physical division of the materials, the item marks belonging to CBs will be differentiated by the addition of a letter.

For example, if in the Assembly Drawing the mark 85 (Washer) is divided in 10 CBs, in the LISL it will have 10 rows instead of 1, and each row will change its marks with the addition of a letter (85A, 85B, 85C, etc ...). The quantities reported for each row, so identified, shall be equal to the same ones indicated in the relevant CB in the Assembly Drawing.

QTY	ITEM	UNIT	UNIT PRICE	TOTAL PRICE	CB1	CB2	CB3	CB4	
7	SHM PACK	SP13	SM09984338	316L	7	0	7	3	21
6	SHM PACK	SP14	SM09984338	316L	6	0	6	3	18
4	SHM PACK	SP15	SM09984338	316L	4	0	4	5	20
2	GASKET	9699-GP01-01	SD6646219	NED-PRENE	2	0	2	-	2
4	GASKET	9699-GP01-02	SD6646219	NED-PRENE	4	0	4	-	4
2	GASKET	9699-GP01-02	SD6646219	NED-PRENE	2	0	2	-	2
12	GASKET	9699-GP03-01	SD6646219	NED-PRENE	12	0	12	-	12
6	GASKET	9699-GP03-02	SD6646219	NED-PRENE	6	0	6	-	6
6	GASKET	9699-GP03-03	SD6646219	NED-PRENE	6	0	6	-	6
2	GASKET	9699-GP05-01	SD6646219	NED-PRENE	2	0	2	-	2
2	GASKET	9699-GP05-02	SD6646219	NED-PRENE	2	0	2	-	2
16	GASKET	9699-GP06-01	SD6646219	NED-PRENE	16	0	16	-	16
8	GASKET	9699-GP07-01	SD6646219	NED-PRENE	8	0	8	-	8
8	GASKET	9699-GP07-02	SD6646219	NED-PRENE	8	0	8	-	8
4	GASKET	9699-GP08-01	SD6646219	NED-PRENE	4	0	4	-	4
4	GASKET	9699-GP08-02	SD6646219	NED-PRENE	4	0	4	-	4
1	GASKET	9699-GP09-01	SD6646219	NED-PRENE	1	0	1	-	1
2	GASKET	9699-GP09-02	SD6646219	NED-PRENE	2	0	2	-	2
4	GASKET	9699-GP10-01	SD6646219	NED-PRENE	4	0	4	-	4
8	GASKET	9699-GP10-02	SD6646219	NED-PRENE	8	0	8	-	8
4	GASKET	9699-GP10-03	SD6646219	NED-PRENE	4	0	4	-	4
2	GASKET	9699-GP11-01	SD6646219	NED-PRENE	2	0	2	-	2
0	GASKET				0	0	4	-	0
0	GASKET				0	0	2	-	0
0	GASKET				0	0	28	-	0
0	GASKET				0	0	28	-	0
0	GASKET				0	0	6	-	0
0	GASKET				0	0	6	-	0
0	GASKET				0	0	8	-	0
0	GASKET				0	0	16	-	0
0	GASKET				0	0	8	-	0
4	GASKET	9699-GP15-01	SD6646219	NED-PRENE	4	0	4	-	4
8	GASKET	9699-GP15-02	SD6646219	NED-PRENE	8	0	8	-	8
4	GASKET	9699-GP15-03	SD6646219	NED-PRENE	4	0	4	-	4
476	WASHER	RN-M0	SD6646219	Nylon 6/10	476	92	568	-	1136
614	WASHER	RN-M2	SD6646219	Nylon 6/10	614	101	715	-	1530
416	HARDWARE/BOLT	ISO 4017 - M10 x 30-NA4-70	SD6646219	A4-70	416	80	496	-	1712
60	HARDWARE/BOLT	ISO 4017 - M10 x 40-NA4-70	SD6646219	A4-70	60	12	72	-	720
374	HARDWARE/NUT	ISO - 4032 - M10 - D - NA4-70	SD6646219	A4-70	374	74	448	-	1712
850	HARDWARE/WASHER	Washer ISO 7093 - 10 A4-70	SD6646219	A4-70	850	144	994	-	3888
530	HARDWARE/BOLT	ISO 4017 - M12 x 35-NA4-70	SD6646219	A4-70	530	87	617	-	2553
84	HARDWARE/BOLT	ISO 4017 - M12 x 40-NA4-70	SD6646219	A4-70	84	14	98	-	980
592	HARDWARE/NUT	ISO - 4032 - M12 - D - NA4-70	SD6646219	A4-70	592	98	690	-	2370
1206	HARDWARE/WASHER	Washer ISO 7093 - 12 A4-70	SD6646219	A4-70	1206	187	1393	-	5187

DRAWING MARKS

4	4	4
2	2	2
2	2	2

(DRAWING MARKS IN THE LISL)

4	56A	4	56B	4	56C
2	57A	2	57B	2	57C
2	58A	2	58B	2	58C

**ASSEMBLY DRAWING
NEW MATERIAL LIST
DIVIDED FOR CHILD BOX**

CHILD BOX ITEMS QUANTITY

Assembly Drawing Marks management

The LISL rows have to be sorted in ascending order by box number and then by Child Box to facilitate field inspectors' inspection.

DWG. MARK	COMPONENT DESCRIPTION	Q.TY	COMPONENT RECEIVING REFERENCE	ITEM				SHIP. CONFIG.		
				LENGTH (Centimeters)	WIDTH (Centimeters)	HEIGHT (Centimeters)	WEIGHT (KG)	BOX	CHILD BOX	LOOSE
92A	HARDWARE/NUT	53.00	SM08600159					1	1	
93A	HARDWARE/WASHER	106.00	SM08600159					1	1	
56A	GASKET	4.00	SM08600159					1	2	
57A	GASKET	2.00	SM08600159					1	2	
58A	GASKET	2.00	SM08600159					1	2	
85B	WASHER	49.00	SM08600159					1	2	
91A	HARDWARE/BOLT	49.00	SM08600159					1	2	
92B	HARDWARE/NUT	49.00	SM08600159					1	2	
93B	HARDWARE/WASHER	97.00	SM08600159					1	2	
56B	GASKET	4.00	SM08600159					1	3	
57B	GASKET	2.00	SM08600159					1	3	
58B	GASKET	2.00	SM08600159					1	3	
85C	WASHER	49.00	SM08600159					1	3	
91B	HARDWARE/BOLT	49.00	SM08600159					1	3	
92C	HARDWARE/NUT	49.00	SM08600159					1	3	
93C	HARDWARE/WASHER	97.00	SM08600159					1	3	

In the Assembly Drawing there is only the marks 56,57 and 58, but in the LISL they become 56A,56B,57A,57B,58A and 58B based on how many split there are in the Child Box table of the Assembly Drawing

Lines sort by CBs

In the Shipping Configuration Project the quantities are copied by the Child Box table of the Assembly Drawing

LISL Marks management

OUTERMOST BOX AND PACKAGE DETAILS

Outermost BOX numbering, as described in previous sections, generally represents the final shipping configuration, so if the Supplier ships without final Box and Packing, the actual (physical) Outermost BOX configuration may not coincide with the designed ones (see the shipping ITN and principles for the designed Outermost Box configuration). It could result in a misalignment within the LISL between lines in package columns configuration (weight and dimensions) and lines in Shipping Configuration columns. So, two options are present for the supplier:

1. If the supplier ships the final Box and Packing configuration: each configured line in LISL Package columns (weight and dimensions) shall match with a line numbering variation in the Shipping Configuration BOX column, the actual (Physical) package matches the designed ones.
2. If the supplier ships without final Box and Packing: each configured line in LISL Package columns (weight and dimensions) may not match with a line numbering variation in the Shipping Configuration BOX column, the actual (Physical) package does not match the designed ones.

In order to configure the LISL Shipping Configuration columns, the supplier shall refer to the ITN54751.00.

The ITN54751.00 is the catalogue of all the Shipping Configuration standard ITN, here the supplier can find the proper ITN for the specific item (Ducts or Filter House) managed on every occurrence.

Inside each specific ITN there is a dedicated section for the Outermost Box standardization (Named Maximum Case of <specific duct> Boxes). The supplier shall refer to this section to manage correctly Boxes numberings in the LISL.

3.2 MAXIMUM CASE OF INLET DUCT BOXES

The Shipping Configuration is the modality requested by BHGE to ship list of Outermost Packs (Final or temporary depending on Contractua Child boxes configured as better described hereafter.

Outermost Pack	Content
1	Section 1
2	Section 2
3	Section 3
4	Section 4
...	...
...	...
i	Section i
...	...
...	...
...	...
<u>N</u>	<u>CB1</u> <u>CB2</u> <u>CB3</u> ... <u>CBx</u>

Example of the Outermost Box standardization section in the specific ITN54751.02 for INLET DUCT

The Outermost Box configuration follows the next principles:

- The ITN Boxes standardization section shows the Outermost BOX numbering progression. Commonly it assigns one BOX for each LOOSE item, and one BOX for all the CBs.
- The LOOSE items quantity contained in each single outermost box shall be the maximum possible under the transportation dimensional limits.
- We could have also some cases of one BOX for multiple LOOSE items, for example support saddles, or walkways loose items can be grouped in a single outermost Box.
- Child Boxes (CB) cannot be mixed with Loose items in the same Outermost Box.
- The size limits for the Wooden Outermost Box are:
 - 12 m length x 2.4 m width x 1.4 m height.
 - for Outermost Boxes exceeding the recommended 1.4 m height limit, a deviation request shall be opened.
- If the Outermost Box for CB exceeds the above size limits, the Supplier is authorized to configure a new Outermost Box for the rest of the CBs.

This is the only case in which multiple Outermost Boxes containing CBs are accepted (rules for Box and CB numberings remain the same as reported at point 'I' to 'V' of section 6.4.2).

Examples:

Example case 1, final Box&Pack by Supplier:

The number of lines compiled in the PACKAGE section with the length, width, height and weight information shall be equal to the number of boxes entered in the SHIP. CONFIG. section (see example below: 9 lines in PACKAGE SECTION and BOX numbering in SHIP. CONFIG. section up to 9; in addition, Box 9 contains 4 CHILD BOXES, n.1, n.2, n.3 e n.4 but only a single line for package section.

The BOX numbering matches the actual (physical) package lines.

R.IT	COMPONENT RECEIVING REFERENCE	ITEM				PACK TYPE	PACKAGE					SHIP. CONFIG.		
		LENGTH (Centimeters)	WIDTH (Centimeters)	HEIGHT (Centimeters)	WEIGHT (KG)		LENGTH (Centimeters)	WIDTH (Centimeters)	HEIGHT (Centimeters)	GROSS WEIGHT (KG)	NET WEIGHT (KG)	BOX	CHILD_BOX	LOOSE
1.00	SMC8600130_SOM68055041				4419.30	THERMOSHRIK	890.00	390.00	240.00	6247.00	4419.30	1	N/A	1
1.00	SMC8600130_SOM68055041				3150.00	THERMOSHRIK	960.00	360.00	265.00	5241.00	3150.00	2	N/A	2
1.00	SMC8600130_SOM67670611				2450.40	THERMOSHRIK	821.00	312.00	189.00	3152.00	2450.40	3	N/A	3
5.00	SMC8600130_SOM67670611				2641.00	THERMOSHRIK	815.00	305.00	215.00	3045.00	2641.00	4	N/A	4
2.00	SMC8600130_SOM67670611				2885.00	THERMOSHRIK	845.00	344.00	255.00	3215.00	2885.00	5	N/A	5
2.00	SMC8600130_SOM67670611				1350.00	THERMOSHRIK	740.00	221.00	135.00	1542.00	1350.00	6	N/A	6
1.00	SMC8600130_SOM68055041				4451.90	THERMOSHRIK	850.00	356.00	271.00	4621.00	4451.90	7	N/A	7
1.00	SMC8600130_SOM68055041				3116.30	THERMOSHRIK	1040.00	350.00	305.00	4682.00	3116.30	8	N/A	8
2.00	SMC8600130_SOM68055041				8.60	WOODEN_CRATE	1219.00	244.00	259.00	6045.00	6000.00	9	2	
16.00	SMC8600130_SOM68055041				8.60	WOODEN_CRATE						9	3	
16.00	SMC8600130_SOM68055041				8.60	WOODEN_CRATE						9	4	
16.00	SMC8600130_SOM68055041				8.60	WOODEN_CRATE						9	1	
13.00	SMC8600130_SOM68055041				8.60	WOODEN_CRATE						9	2	
18.00	SMC8600130_SOM68055041				8.60	WOODEN_CRATE						9	3	
18.00	SMC8600130_SOM68055041				8.60	WOODEN_CRATE						9	4	
18.00	SMC8600130_SOM68055041				8.60	WOODEN_CRATE						9	2	
18.00	SMC8600130_SOM68055041				8.60	WOODEN_CRATE						9	3	
18.00	SMC8600130_SOM68055041				8.60	WOODEN_CRATE						9	1	
18.00	SMC8600130_SOM68055041				8.60	WOODEN_CRATE						9	3	
18.00	SMC8600130_SOM68055041				8.60	WOODEN_CRATE						9	4	
18.00	SMC8600130_SOM68055041				8.60	WOODEN_CRATE						9	1	

Unique Package line And Same BOX for all The Child Boxes

Example case 2, final Box & Pack by Baker Hughes:

Package lines details (Length, width, height and weights) may not match the Box numbering (9 in the example below) following the physical temporary package configuration. In the example in correspondence of BOX9 we have two package lines. The CBs numbering preserve the same configuration

The BOX numbering doesn't match the actual (physical) package lines.

R.IT	COMPONENT RECEIVING REFERENCE	ITEM				PACK TYPE	PACKAGE					SHIP. CONFIG.		
		LENGTH (Centimeters)	WIDTH (Centimeters)	HEIGHT (Centimeters)	WEIGHT (KG)		LENGTH (Centimeters)	WIDTH (Centimeters)	HEIGHT (Centimeters)	GROSS WEIGHT (KG)	NET WEIGHT (KG)	BOX	CHILD_BOX	LOOSE
1.00	SMC8600130_SOM68055041				4419.30	THERMOSHRIK	890.00	390.00	240.00	6247.00	4419.30	1	N/A	1
1.00	SMC8600130_SOM68055041				3150.00	THERMOSHRIK	960.00	360.00	265.00	5241.00	3150.00	2	N/A	2
1.00	SMC8600130_SOM67670611				2450.40	THERMOSHRIK	821.00	312.00	189.00	3152.00	2450.40	3	N/A	3
5.00	SMC8600130_SOM67670611				2641.00	THERMOSHRIK	815.00	305.00	215.00	3045.00	2641.00	4	N/A	4
2.00	SMC8600130_SOM67670611				2885.00	THERMOSHRIK	845.00	344.00	255.00	3215.00	2885.00	5	N/A	5
2.00	SMC8600130_SOM67670611				1350.00	THERMOSHRIK	740.00	221.00	135.00	1542.00	1350.00	6	N/A	6
1.00	SMC8600130_SOM68055041				4451.90	THERMOSHRIK	850.00	356.00	271.00	4621.00	4451.90	7	N/A	7
1.00	SMC8600130_SOM68055041				3116.30	THERMOSHRIK	1040.00	350.00	305.00	4682.00	3116.30	8	N/A	8
2.00	SMC8600130_SOM68055041				8.60	PALLET	1219.00	244.00	259.00	5420.00	51200.00	9	2	
16.00	SMC8600130_SOM68055041				8.60	PALLET						9	3	
16.00	SMC8600130_SOM68055041				8.60	PALLET						9	4	
16.00	SMC8600130_SOM68055041				8.60	PALLET						9	1	
13.00	SMC8600130_SOM68055041				8.60	PALLET						9	2	
18.00	SMC8600130_SOM68055041				8.60	PALLET						9	3	
18.00	SMC8600130_SOM68055041				8.60	PALLET						9	4	
18.00	SMC8600130_SOM68055041				8.60	PALLET						9	2	
18.00	SMC8600130_SOM68055041				8.60	PALLET						9	3	
18.00	SMC8600130_SOM68055041				8.60	PALLET	850.00	150.00	230.00	6766.00	6700.00	9	1	
18.00	SMC8600130_SOM68055041				8.60	PALLET						9	3	
18.00	SMC8600130_SOM68055041				8.60	PALLET						9	4	
18.00	SMC8600130_SOM68055041				8.60	PALLET						9	1	

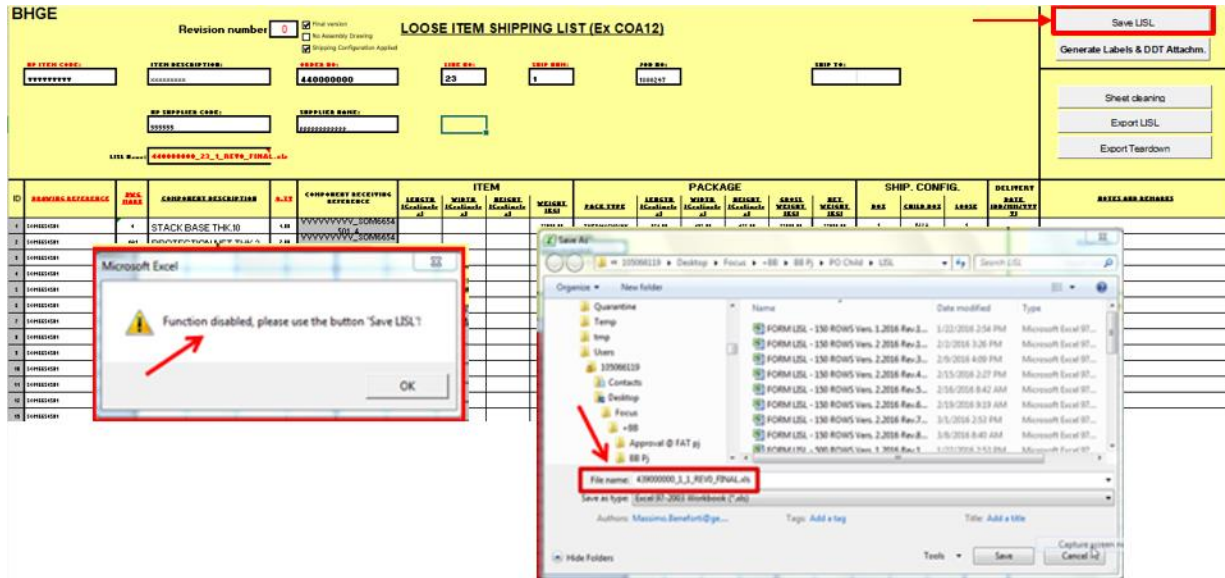
Multiple Package line And Same BOX for all The Child Boxes

6.4.3. File name: Save rule

Supplier shall save the LISL form through the new button placed on the right side of LISL template, see photo 22.

Once save button is pressed a pop-up appears in order to save the LISL file with a proper name. PLEASE TAKE CARE: FILE NAME MUST NOT BE MODIFIED, see photo 22.

In case the LISL form is saved through the standard way (SAVE AS) an alert appears "Please use the button Save LISL", see photo 22.



(Photo 22)

Supplier must follow the same saving method in case a new LISL revision need to be sent to SFM.

6.4.4. Quantity check of grouped materials

Supplier shall assure that delivered quantity on LISL is the real material quantity. For marks with more than one piece, supplier needs to count materials manually in order to assure the correspondence versus LISL.

Where this count is not possible, supplier shall use alternative methods (example, weighing), providing that involved instruments are calibrated and have an accuracy consistent for the application. Instrument inaccuracy shall be compensating increasing quantity in order to eliminate the negative tolerance.

For material closed in packs, supplier shall apply externally a mark to certify the quantity check execution.

Supplier shall check marks with not numeric quantities (i.e. meters of cables, meter of linear gaskets etc.), measuring them and applying externally a mark that certify quantity check execution.

6.4.5. Loose items not recalled in site assembly drawings

Loose items not identified in site assembly drawing (i.e. electrical spare parts, mechanical tooling, software), shall be collected in boxes. Each single item shall be identified with a mark number, defined in shipping BOM and recalled on LISL. Cause of they are not inserted in site

assembly drawing, supplier shall indicate on LISL “Not Applicable” in assembly drawing section.

6.4.6. Management of changes on LISL during final completeness check

LISL document is directly generated from Shipping BOM so items list shall be identical in the two documents; differences are caused by mistakes during items transcription.

In some case a change order is issued during final inspection phase; for this reason, it is necessary to update LISL inserting or deleting lines. This event causes differences between Items list on LISL and Item list on Shipping BOM.

To avoid discrepancies between LISL, BOM and Shipping BOM/Assembly Drawings, supplier shall revise all documents in order to maintain the correspondence among them.

6.5. Filling in the transport document/delivery note

The transport document /delivery note shall include:

- Baker Hughes Purchase Order Number (or the name of a Baker Hughes representative, if no purchase order number is available, i.e. for samples, various documents, material supplied under approval, etc.)
- Release number for Open Purchase Order (when applicable)
- Line of the purchase order
- Shipment (when applicable)
- Baker Hughes Material Code
- Description of Item
- Unit of measurement
- Quantity
- Number of packages, specifying which marks (LISL lines) are included in each package
- Serial Number (when applicable)
- Expiry date (when applicable)
- Non-conformity number (when applicable)
- Cause (i.e. sale, supplied under approval, etc.)

6.6. Identifying and labelling material

The supplier shall put the barcode labels generated automatically when the LISL is filled in, on the material, for the purposes of identification.

Labels can be generated after completion of final revision of the LISL, by clicking on the dedicated bottom in the top right corner of the form (Photo 1).

The final labels shall be put on the material before the final completeness check, when applicable

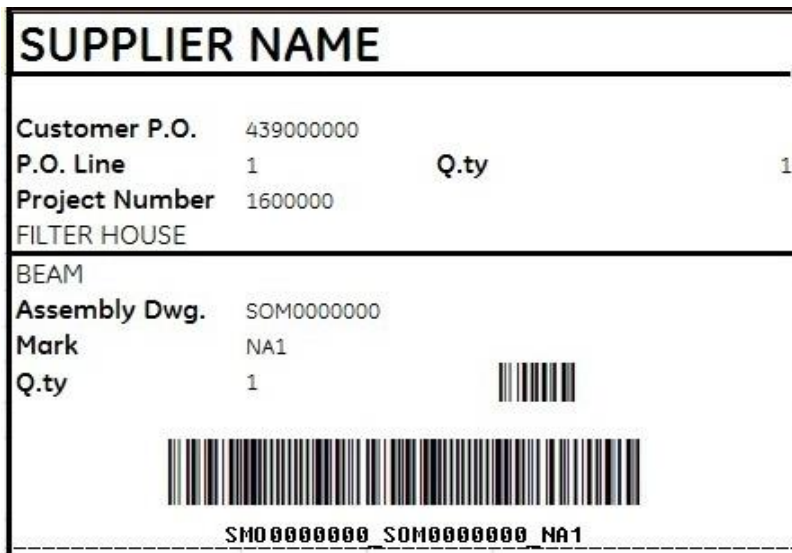
The labels shall include the following details:

- Name of the supplier
- Purchase Order number and line
- Job number
- Project name
- Description of the Item
- Quantity
- Mark as indicated in the LISL
- Assembly drawing
- Pack Type with Box and Child box numbers (Only if Shipping Configuration applied)

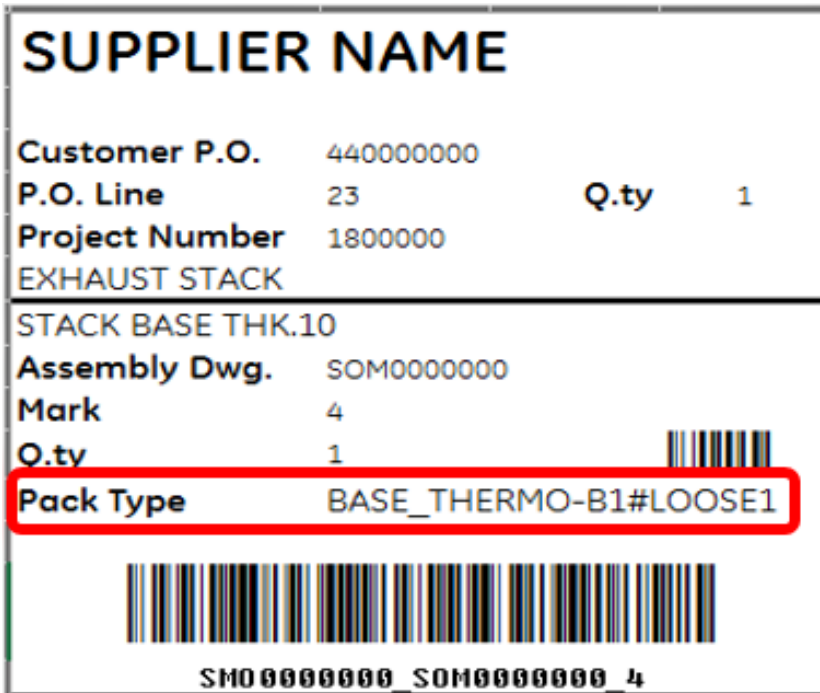
The labels shall be (for orders with or without LISL):

- Hard-wearing (plasticized or attached with strap)
- Applied on each component/pre-packaging
- Applied on smooth parts and not folded, ensuring that the bar codes can be read
- Applied at a point where they can be seen and read easily

Below is an example of a label with barcode:



Below is an example of a label with barcode if Shipping Configuration Applied:



In the case of orders without LISL, the labels shall contain the following details as a minimum:

- Purchase Order number and line
- Job number
- Description of the Item
- Material/item Code
- Quantity

6.6.1. Materials Content list

If the Shipping Configuration Process is applied (shipping configuration check box shall be flagged) the supplier shall put a materials content list on each single Box and CB. The Box and CB materials content lists can be generated directly from the LISL, using the functionality "Generate Labels & DDT Attachm." (BOX Details Tab).

The materials content lists shall be put inside the Box and CB and attached on its, outside the pack.

Following two examples of BOX content list and CB Content List:

BOX: 1 -CB1					
ORDER NO: 440150177 LINE NO: 3 SHIP NUM: 1 JOB:					
ITEM CODE: SMO8600130					
ITEM DESCRIPTION: FILTER HOUSE					
SUPPLIER:					
BOX#- CB#-ID	COMPONENT RECEIVING REFERENCE		COMPONENT DESCRIPTION	Q.TY	
BOX1- CB1-1	SMO8600130_SOM6805504(100000927)_1 02		Gasket 40x8 mm	6	
BOX1- CB1-2	SMO8600130_SOM6805504(100000927)_1 02		Gasket 40x8 mm	6	
BOX1- CB1-3	SMO8600130_SOM6805504(100000927)_1 02		Gasket 40x8 mm	6	
BOX1- CB1-4	SMO8600130_SOM6805504(100000927)_1 02		Gasket 40x8 mm	6	
BOX1- CB1-5	SMO8600130_SOM6805504(100000927)_1 02		Gasket 40x8 mm	6	
BOX1- CB1-6	SMO8600130_SOM6805504(100000927)_1 02		Gasket 40x8 mm	6	
BOX1- CB1-7	SMO8600130_SOM6805504(100000927)_1 02		Gasket 40x8 mm	6	
BOX1- CB1-8	SMO8600130_SOM6805504(100000927)_1 02		Gasket 40x8 mm	6	

BOX: 1 -CB2					
ORDER NO: 440150177 LINE NO: 3 SHIP NUM: 1 JOB:					
ITEM CODE: SMO8600130					
ITEM DESCRIPTION: FILTER HOUSE					
SUPPLIER:					
BOX#- CB#-ID	COMPONENT RECEIVING REFERENCE		COMPONENT DESCRIPTION	Q.TY	
BOX1- CB2-9	SMO8600130_SOM6805504(134000680)_1 06A		Bolt M12x35. ISO4017 A4-70	35	
BOX1- CB2-10	SMO8600130_SOM6805504(134000680)_1 06A		Bolt M12x35. ISO4017 A4-70	35	
BOX1- CB2-11	SMO8600130_SOM6805504(134000680)_1 06A		Bolt M12x35. ISO4017 A4-70	35	
BOX1- CB2-12	SMO8600130_SOM6805504(134000680)_1 06A		Bolt M12x35. ISO4017 A4-70	35	
BOX1- CB2-13	SMO8600130_SOM6805504(134000680)_1 06A		Bolt M12x35. ISO4017 A4-70	35	
BOX1- CB2-14	SMO8600130_SOM6805504(134000680)_1 06A		Bolt M12x35. ISO4017 A4-70	35	

Materials content list inside each proper CB



Materials content list outside each proper CB



6.7. Adding a line with a “KIT” item description to a LISL

The supplier can add a “KIT of xxx” item description to the LISL (for example, Kit of bolts, kit of flanges, kit of tools, etc.). In this case, supplier shall ensure that:

- The kit is sent in a closed and sealed crate/box separate from the other components of the LISL
- The kit mark is indicated on the crate or box

- A content list is prepared, with the description, the quantities and the item codes of each of the materials
- A copy of the content list is attached to the side of the package
- A copy of the content list is placed inside the package
- A copy of the content list is sent together with the delivery note /transport document (DDT)
- The material is labelled in compliance with the content list; handwritten tags are not permitted.
- The Item code and item quantity shall be written on label
- Label shall be attached to the piece
- On label shall be indicated the supplier identification mark
- Label shall be written in English as minimum; additional language allowed under the condition that the English version is the official one

All kit components shall be included in a unique box

Cases/containers other than sealed crates or boxes are not considered kits and will not be accepted.

The kit must be used only for items that are small and light (e.g. instruments, tools, nuts and bolts).

Kit are not allowed for Electrical and Control Panels supplies

6.8. Completeness check

Supplier shall define written instructions to describe the verifications made during the entire production process in order to assure the final completeness.

Supplier shall document the final completeness issuing a certificate based on the template defined in Annex B including a photographic report of entire supply.

If during supplier on-base inspection some materials are missing, supplier shall include missing items in LISL and shall be authorized to ship incomplete supply after approval of SDR. For each missing Item, supplier shall insert in LISL note the punch list reference and in the "delivery" field the supplier shall indicate the new delivery date.

6.8.1. Material delivered with temporary packing

Supplier shall perform a check at material loading into temporary packs, or delivered loose, to assure that all the marks declared in the LISL have been placed into the temporary packs ore delivered loose.

Checks shall be recorded by supplier issuing a certificate based on the template defined in Annex D

Baker Hughes reserve the right to attend to this check when included in QRL requirements

6.8.2. Materials delivered with packing for final destination

Supplier shall perform a check at material loading in final crates to assure:

- That marks declared in LISL are placed into the crates;
- Correspondence between packing list and material loaded into crates

Supplier shall certify this check issuing a certificate based on the template defined in Annex E
In case of multiple shipments, supplier shall associate to all LISL lines the relevant transportation reference to give evidence of supply completeness. This document will be sent to SFM before final shipment. Supplier shall submit this document through i-Supplier Portal.

6.8.3. Materials delivered from multiple points

Supplier shall perform a completeness check for each sub-supply to be sent to Baker Hughes. Supplier shall perform this check before sub-supply shipment. and issue a certificate based on the template defined in with Annex E adding the origin point.

6.9. Drop shipment material management

The drop shipment materials are Baker Hughes Property items that have to be sent directly from vendor to vendor. These items are supplied by Baker Hughes to some "Main items" vendor in order to be assembled and complete their scope of supply.

Supplier shall check all ship drop material at the incoming phase, before use them in production, in order to assure completeness versus material packing list. In case of missing material, supplier shall communicate to Baker Hughes the issue and shall not use them before Baker Hughes approval.

Supplier shall certify ship drop material check signing the check.

Each material checked by supplier and shipped loose, shall be inserted in LISL and identified with a new label.

Supplier shall indicate in LISL that lines are referred to ship drop material.

6.10. Document Templates – Annexes

Supplier shall use templates herein defined and customize them in compliance with requirements of Document Control and Record control as per ISO 9001 (latest revision)

ANNEX A

ANNEX B

ANNEX C

ANNEX D

ANNEX E

ANNEX A

FINAL COMPLETENESS CHECK OF A PO LINE DELIVERED WITH A SINGLE ITEM COMPOSED BY SEVERAL PARTS ASSEMBLED TOGETHER

PO n° _____ PO line _____

Supplier _____

Shop Assembly Drawing n° _____ Rev _____ Description _____

n° _____ Rev _____ Description _____

n° _____ Rev _____ Description _____

n° _____ Rev _____ Description _____

The completeness of the PO line above has been checked vs all the applicable shop assembly drawings and all the required internal parts are installed

Check Carried Out by (Name) _____ Signature _____ Date _____

ANNEX B

FINAL COMPLETENESS CHECK OF A LOOSE ITEMS (MARKS) COMPOSED BY SEVERAL PARTS ASSEMBLED TOGETHER

(PO LINE WITH MORE THAN ONE LOOSE ITEM AND SITE ASSEMBLY DRAWING)

PO n° _____ PO line _____

Supplier _____

Mark n° _____ Site Assembly Drawing n° _____ Rev _____ Description _____

Shop Assembly Drawing n° _____ Rev _____ Description _____

n° _____ Rev _____ Description _____

n° _____ Rev _____ Description _____

n° _____ Rev _____ Description _____

The completeness of the Mark above delivered as loose item has been checked vs all the applicable shop assembly drawings and all the required internal parts are installed

Check Carried Out by (Name) _____ Signature _____ Date _____

ANNEX C

ASSEMBLY DRAWINGS BOM's AND LISL CHECK

PO n° _____ PO line _____

Supplier _____

o **COMPLETENESS CHECK OF THE BOM's OF SITE ASSEMBLY DRAWINGS**

Assembly Drawing n° _____ Rev _____ Description _____

Assembly Drawing n° _____ Rev _____ Description _____

Assembly Drawing n° _____ Rev _____ Description _____

Assembly Drawing n° _____ Rev _____ Description _____

Assembly Drawing n° _____ Rev _____ Description _____

Assembly Drawing n° _____ Rev _____ Description _____

-all the parts needed for installation are present with relevant Mark and indicated in the correct position

-the Shipping BOM recall all the Mark with a clear and unique description

-the Design and Total quantities (where applicable) of each Mark of the BOM is aligned with the requirements

Check Carried Out by (Name) _____ Signature _____ Date _____

o **LISL COMPLETENESS CHECK**

-the LISL has been generated from the last revision of the assembly drawings

-the LISL content is identical to the material list of each site assembly drawing recalled

-all the necessary assembly drawings are recalled and all the loose items are included

Check Carried Out by (Name) _____ Signature _____ Date _____

ANNEX D

FINAL COMPLETENESS CHECK OF MATERIALS AT LOADING WITH TEMPORARY PACKING

PO n° _____ PO line _____

Supplier _____

Data relevant to the loading operations

Date _____ Loading at Supplier or Sub Supplier _____ Location _____

References of the carrier that loaded the materials _____

LISL positions number loaded _____
(can be attached marked copy of the LISL)

No all LISL position loaded

LISL positions number not loaded _____
(can be attached marked copy of the LISL)

All LISL position loaded

We hereby declare that the above LISL position numbers have been loaded in temporary packs, or delivered loose as described in the LISL

Check Carried Out by (Name) _____ Signature _____ Date _____

ANNEX E

FINAL COMPLETENESS CHECK OF MATERIALS DELIVERED WITH PACKING FOR FINAL DESTINATION

PO n° _____ PO line _____

Supplier _____

Data relevant to the loading operations

Date _____ Loading at Supplier or Sub Supplier _____ Location _____

References of the carrier that loaded the materials _____

LISL positions number loaded in crate N° _____

(can be attached marked copy of the LISL)

LISL positions number loaded in crate N° _____

(can be attached marked copy of the LISL)

LISL positions number loaded in crate N° _____

(can be attached marked copy of the LISL)

LISL positions number loaded in crate N° _____

(can be attached marked copy of the LISL)

LISL positions number loaded in crate N° _____

(can be attached marked copy of the LISL)

LISL positions number loaded in crate N° _____

(can be attached marked copy of the LISL)

No all LISL position loaded

LISL positions number not loaded _____

(can be attached marked copy of the LISL)

All LISL position loaded

We hereby declare that the above LISL position numbers have been loaded in crates for final destination and that there is correspondence of the declared Packing List with the materials loaded into each crate

Check Carried Out by (Name) _____ Signature _____ Date _____